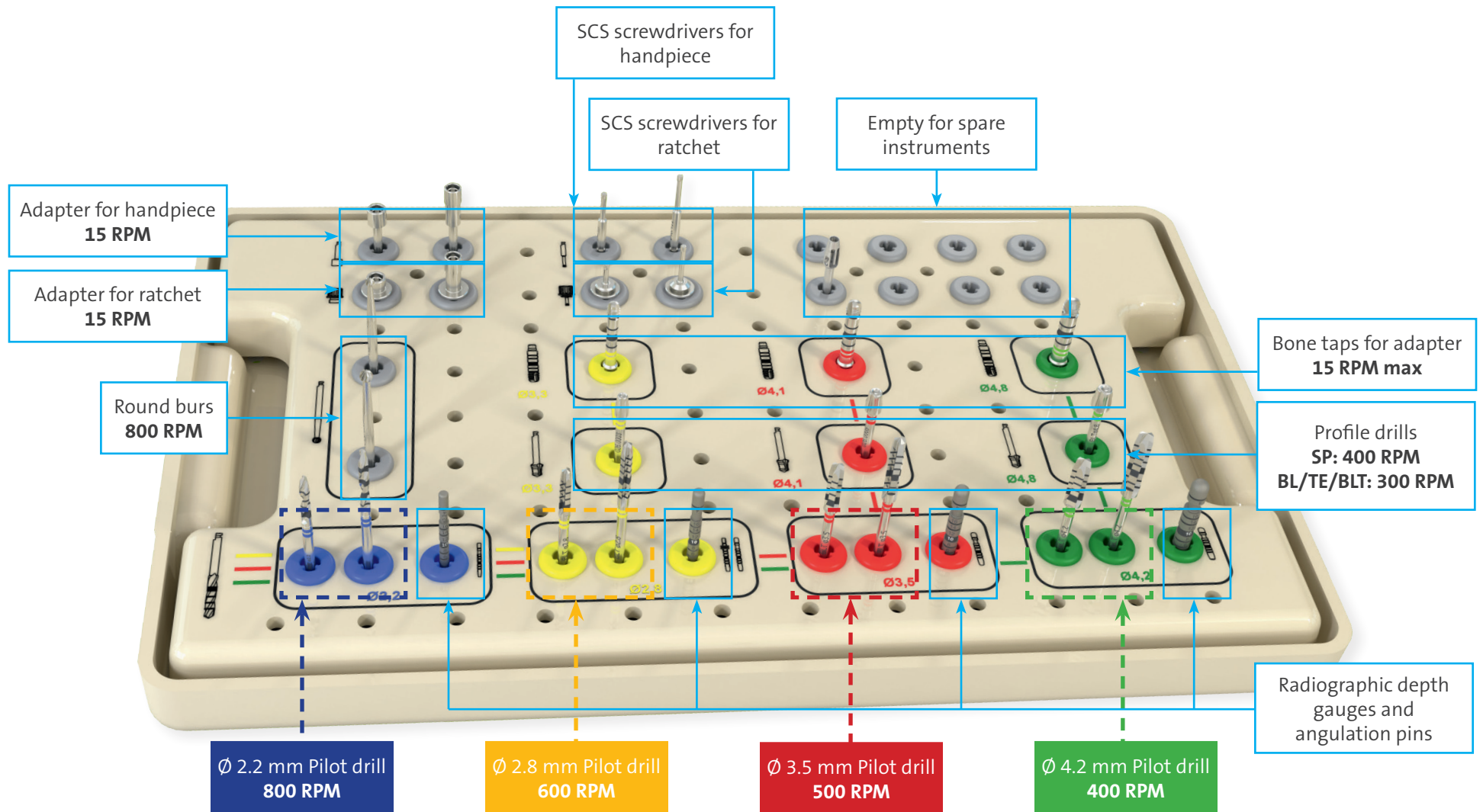
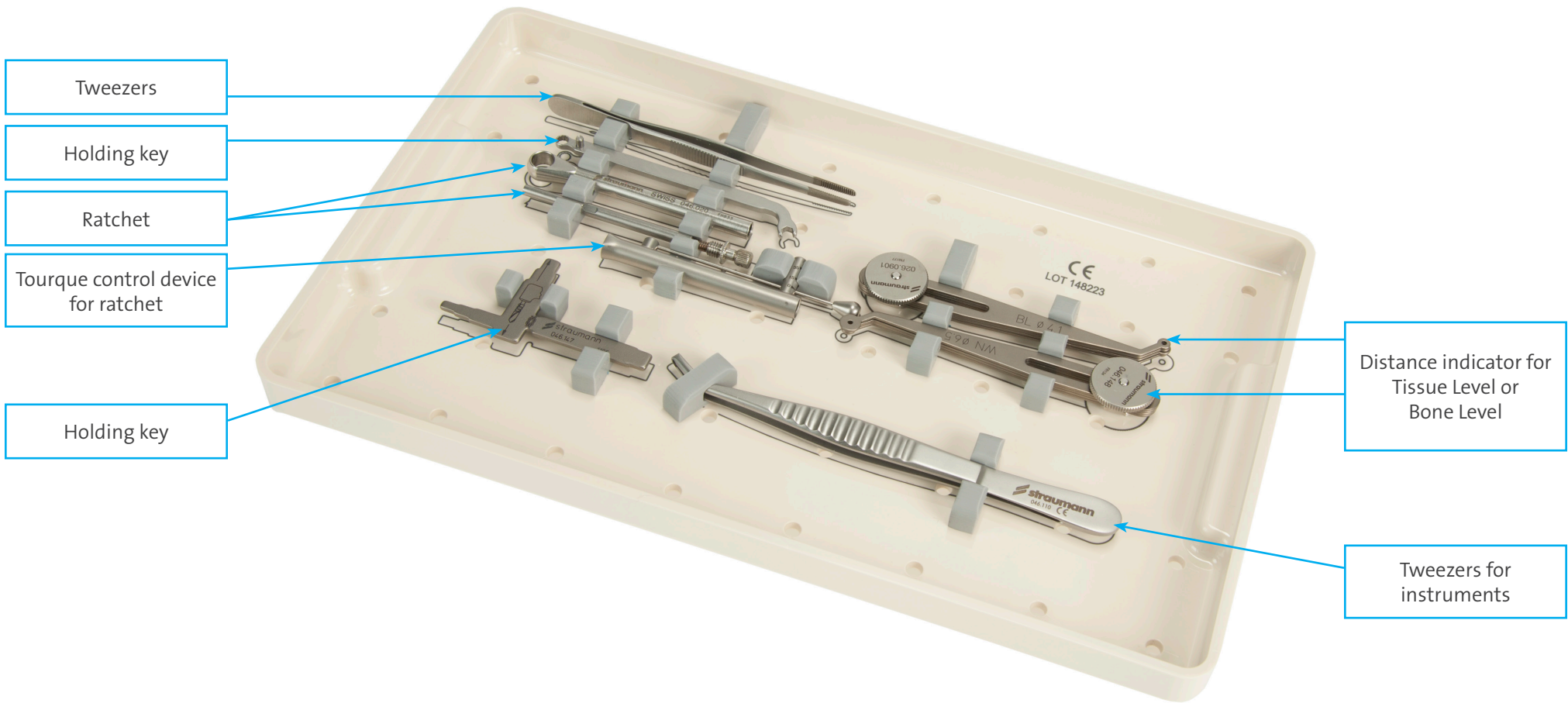


Straumann® Basic Surgical Cassette





Straumann North American Headquarters

Straumann USA, LLC
 60 Minuteman Road
 Andover, MA 01810
 Phone 800/448 8168 (US) • 800/363 4024 (CA)
 Fax 978/747 2490
 www.straumann.us • www.straumann.ca

ifu.straumann.com

© Straumann USA, LLC 2019. All rights reserved.
 Straumann® and/or other trademarks and logos from Straumann® that are mentioned herein are the trademarks or registered trademarks of Straumann Holding AG and/or its affiliates. All rights reserved.