

The Straumann TLC™/TLX™ Implant System has a simple and consistent laser marking for quick and precise identification of secondary parts, and auxiliaries. This concept allows for correct identification of matching components, and simplifies the communication between the individuals involved in the treatment process.

- Components laser-marked NT (Narrow, TorcFit™) and with one dot can be used on all TLC/TLX Implants with the NT neck.
- Components laser-marked RT (Regular, TorcFit™) and with two dots can be used on all TLC/TLX implants with the RT neck.
- Components laser-marked WT (Wide, TorcFit™) and with three dots can be used on all TLC/TLX implants with the WT neck.

TLC		TLX																
∅ 3.3 mm	∅ 3.75 mm	∅ 4.5 mm	∅ 5.5 mm	∅ 6.5 mm	∅ 3.75 mm	∅ 4.5 mm	∅ 5.5 mm	∅ 6.5 mm										
Standard Plus (SP)					Standard Plus (SP)	Standard (S)	Standard Plus (SP)	Standard (S)	Standard Plus (SP)	Standard (S)	Standard Plus (SP)	Standard (S)	Standard Plus (SP)	Standard (S)	Standard Plus (SP)	Standard (S)	Standard Plus (SP)	Standard (S)

Implant	6 mm	8 mm	10 mm	12 mm	14 mm	16 mm	18 mm	6 mm	8 mm	10 mm	12 mm	14 mm	16 mm	18 mm	6 mm	8 mm	10 mm	12 mm	14 mm	16 mm	18 mm	
Roxid® SLActive®	-	-	035.72065	035.72085	035.72105	035.72125	035.72145	035.72065	035.72085	035.72105	035.72125	035.72145	035.72165	035.72185	-	-	-	-	-	-	-	-
Roxid® SLA®	-	-	035.62065	035.62085	035.62105	035.62125	035.62145	035.62065	035.62085	035.62105	035.62125	035.62145	035.62165	035.62185	-	-	-	-	-	-	-	-

Implant Drivers	Short, L 21 mm	Medium, L 26 mm	Long, L 31 mm	Extra long, L 36 mm
Surgical Handle		066.4000		
	066.4101	066.4107	066.4102	066.4108
	066.4201	066.4207	066.4202	

Drill No. 1 (Pilot Drill)	Drill No. 2	Drill No. 3	Drill No. 4	Drill No. 5	Drill No. 6	Drill No. 7	Drill No. 8	Drill No. 9
Short, L 34 mm	Short, L 34 mm	Short, L 34 mm	Short, L 34 mm	Short, L 34 mm	Short, L 34 mm	Short, L 34 mm	Short, L 34 mm	Short, L 34 mm
Medium, L 38 mm	Medium, L 38 mm	Medium, L 38 mm	Medium, L 38 mm	Medium, L 38 mm	Medium, L 38 mm	Medium, L 38 mm	Medium, L 38 mm	Medium, L 38 mm
Long, L 42 mm	Long, L 42 mm	Long, L 42 mm	Long, L 42 mm	Long, L 42 mm	Long, L 42 mm	Long, L 42 mm	Long, L 42 mm	Long, L 42 mm
Alignment Pin	Depth Gauge	Depth Gauge	Depth Gauge	Depth Gauge	Depth Gauge	Depth Gauge	Depth Gauge	Depth Gauge

Profile Drills	BLC/TLX Profile Drill ∅ 3.3 mm	BLC/TLX Profile Drill ∅ 3.75 mm	BLC/TLX Profile Drill ∅ 4.5 mm	BLC/TLX Profile Drill ∅ 5.5 mm	BLC/TLX Profile Drill ∅ 6.5 mm	RT Profile Drill	WT Profile Drill
	034.362	034.363	034.365	034.366	034.367	Short 036.3300 Long 036.3301	Short 036.3302 Long 036.3303

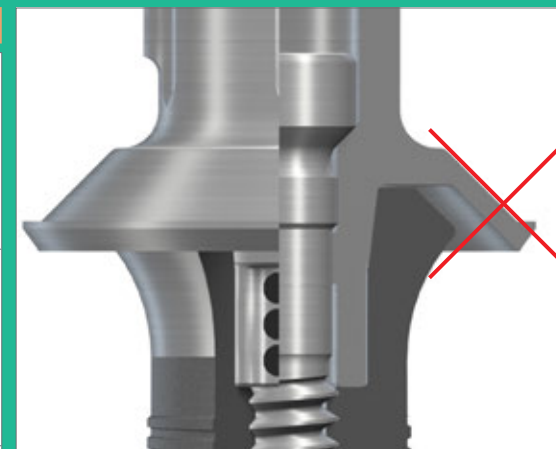
Closure Caps	NT Closure Cap	RT Closure Cap	WT Closure Cap
	H 0 mm	H 0 mm	H 0 mm
	H 1.5 mm	H 1.5 mm	

Healing Caps	NT Healing Cap	RT Healing Cap	WT Healing Cap
	H 2.0 mm	H 2.0 mm	H 2.0 mm
	H 3.0 mm	H 3.0 mm	H 3.0 mm
	H 4.5 mm	H 4.5 mm	H 4.5 mm

Auxiliary Instruments	Ratchet with Torque Control	Torque Control Device	Torque Control Device for Ratchet	Ratchet	Holding Key	Implant depth gauge
	046.821	066.1100	046.049	046.119	046.064	066.2000

Selection guide for the Straumann® Modular Cassette and instruments
The Straumann® Modular Cassette Selection Guide (702824/en) helps to define the required Modular Cassette parts and instruments needed for a specific indication. Each chapter includes an order list as well as a set-up overview which shows how to assemble the parts.

	Prosthetic platform	Implant Diameters	Implant platform
NT •	One dot 	∅ 3.75 mm ∅ 4.5 mm	NT
RT ••	Two dots 	∅ 3.75 mm ∅ 4.5 mm	RT
WT •••	Three dots 	∅ 5.5 mm ∅ 6.5 mm	WT



No WT Abutments on NT and RT Implants!
No NT Abutments on RT and WT Implants!
No RT Abutments on NT and WT Implants!

ABBREVIATIONS/FOOTNOTES

AH	Abutment height
H	Height
NT	Narrow TorcFit™
RT	Regular TorcFit™
WT	Wide TorcFit™
S	Standard
SP	Standard Plus
V4	Pack of 4
* Straumann® Custom Abutments can be ordered via the Straumann® CARES® Visual Software or at www.cares.straumann.com . They are manufactured at the Straumann® CAD/CAM production center. Also available via Straumann UNIQ™ Service.	
Novaloc® is a registered trademark of Valoc AG, Switzerland.	
Product images are not to scale.	

International Headquarters
Institut Straumann AG
Peter Merian-Weg 12
CH-4002 Basel, Switzerland
Phone +41 (0)61 965 11 11
Fax +41 (0)61 965 11 01
www.straumann.com

Straumann
TLC™/TLX™ Implant System
System Overview
TLC/TLX
PROSTHETICS

Impression Posts
Digital Impression Posts
Implant Analogs
Scanbodies

Temporary Restorations

Variobase®
Cementable Abutments
Gold Abutments
Burn-out Copings

Custom Abutments
Screw-retained Bars and Bridges

Pre-milled Abutment Blanks

Screw-retained Abutments
Copings

Novaloc®

Novaloc® Additional Parts

NT - Narrow TorcFit™
Ø 3.5 mm

Implant Level

Impression Post Open Tray				Impression Post Closed Tray		Implant Analog	Repositionable Implant Analog	Scanbody
For Crown	For Bridge/Bar			For Crown	For Bridge/Bar			
036.0000	036.0001	065.0140	065.0137	036.0002	065.0143	036.0100	036.1102	036.3230

Temporary Abutment, crown		Temporary Abutment, bridge		Replacement Screw
	037.0000		037.0001	
				036.3110

Variobase® XC for Crown	Variobase® XC for Crown AS	Variobase® XC for Bridge/Bar	Variobase® XC for Bridge/Bar AS	Variobase® C	Cementable Abutment 0°, for crowns/bridges	Cementable Abutment 15°, for crowns/bridges	Gold Abutment, for crowns/bridges	Replacement Screw	Replacement Screw for Variobase® for Crown AS
062.5025	062.5014	062.5003	062.4992	037.0205	037.0100	037.0101	037.0300	036.3110	036.3111
					Crown 037.0110	Crowns/Bridges 037.0112	Crown 037.0301		
065.0109	065.0114	065.0117	065.0120		Bridge 037.0111		Bridge 037.0301		

Custom Abutment*

Please check portal to see options.

MEDENTIKA® Holder 11.5 mm	MEDENTIKA® Holder 15.8 mm	CARES® 12 mm
037.0600	037.0601	037.0610

NT Screw-retained Abutment AH 3.5 mm, Ø 4.6 mm, 17°	NT Screw-retained Abutment AH 3.5 mm, Ø 4.6 mm, 30°
037.04105	037.04115

Novaloc® 0°				Novaloc® 15°				Replacement Screw
H 1 mm	037.0500	H 4 mm	037.0503	H 2 mm	037.0510	H 5 mm	037.0513	
H 2 mm	037.0501	H 5 mm	037.0504	H 3 mm	037.0511	H 6 mm	037.0514	
H 3 mm	037.0502	H 6 mm	037.0505					
								036.3110

Processing Package, Titanium	Processing Package, PEEK	Matrix Housing, Titanium	Matrix Housing, PEEK	Matrix Housing - Extended
2010.601-NOV	2010.611-NOV	2010.701-NOV	2010.702-NOV	2010.703-NOV

Straumann® TLC/TLX Implant TorcFit™ Connection

RT - Regular TorcFit™
Ø 4.8 mm

Impression Post Open Tray				Impression Post Closed Tray		Implant Analog	Repositionable Implant Analog	Scanbody
For Crown	For Bridge/Bar			For Crown	For Bridge/Bar			
036.1000	036.1001	065.0141	065.0138	036.1002	065.0144	036.0102	036.2100	036.3230

Temporary Abutment, crown		Temporary Abutment, bridge		Replacement Screw
	037.1000		037.1001	
				036.3110

Variobase® XC for Crown	Variobase® XC for Crown AS	Variobase® XC for Bridge/Bar	Variobase® XC for Bridge/Bar AS	Variobase® C	Cementable Abutment 0°, for crowns/bridges	Cementable Abutment 15°, for crowns/bridges	Gold Abutment, for crowns/bridges	Replacement Screw	Replacement Screw for Variobase® for Crown AS
062.5026	062.5015	062.5004	062.4993	037.1205	037.1100	037.1101	037.1300	036.3110	036.3111
					Crown 037.1110	Crowns/Bridges 037.1112	Crown 037.1301		
065.0110	065.0115	065.0118	065.0121		Bridge 037.1111		Bridge 037.1301		

Screw-retained Bars and Bridges*

Please check portal to see options.

MEDENTIKA® Holder 11.5 mm	MEDENTIKA® Holder 15.8 mm	CARES® 12 mm
037.1600	037.1601	037.1610

-

Novaloc® 0°				Novaloc® 15°				Replacement Screw
H 1 mm	037.1500	H 4 mm	037.1503	H 2 mm	037.1510	H 5 mm	037.1513	
H 2 mm	037.1501	H 5 mm	037.1504	H 3 mm	037.1511	H 6 mm	037.1514	
H 3 mm	037.1502	H 6 mm	037.1505					
								036.3110

Processing Package, Titanium	Processing Package, PEEK	Matrix Housing, Titanium	Matrix Housing, PEEK	Matrix Housing - Extended
2010.601-NOV	2010.611-NOV	2010.701-NOV	2010.702-NOV	2010.703-NOV

WT - Wide TorcFit™
Ø 6.5 mm

Impression Post Open Tray				Impression Post Closed Tray		Implant Analog	Repositionable Implant Analog	Scanbody
For Crown	For Bridge/Bar			For Crown	For Bridge/Bar			
036.2000	036.2001	065.0142	065.0139	036.2002	065.0145	036.1100	036.2102	036.3230

Temporary Abutment, crown		Temporary Abutment, bridge		Replacement Screw
	037.2000		037.2001	
				036.3110

Variobase® XC for Crown	Variobase® XC for Crown AS	Variobase® XC for Bridge/Bar	Variobase® XC for Bridge/Bar AS	Variobase® C	Cementable Abutment 0°, for crowns/bridges	Cementable Abutment 15°, for crowns/bridges	Gold Abutment, for crowns/bridges	Replacement Screw	Replacement Screw for Variobase® for Crown AS
062.5027	062.5016	062.5005	062.4994	037.2205	037.2100	037.2101	037.2300	036.3110	036.3111
					Crown 037.2110	Crowns/Bridges 037.2112	Crown 037.2301		
065.0111	065.0116	065.0119	065.0122		Bridge 037.2111		Bridge 037.2301		

Screw-retained Bars and Bridges*

Please check portal to see options.

MEDENTIKA® Holder 11.5 mm	MEDENTIKA® Holder 15.8 mm	CARES® 12 mm
037.2600	037.2601	037.2610

-

Novaloc® 0°				Novaloc® 15°				Replacement Screw
H 1 mm	037.2500	H 4 mm	037.2503	H 2 mm	037.2510	H 5 mm	037.2513	
H 2 mm	037.2501	H 5 mm	037.2504	H 3 mm	037.2511	H 6 mm	037.2514	
H 3 mm	037.2502	H 6 mm	037.2505					
								036.3110

Novaloc® Retention Insert					
	Red, extra-light	2010.710-NOV		Green, strong	2010.713-NOV
	White, light	2010.711-NOV		Blue, extra-strong	2010.714-NOV
	Yellow, medium	2010.712-NOV		Black, ultra-strong	2010.715-NOV